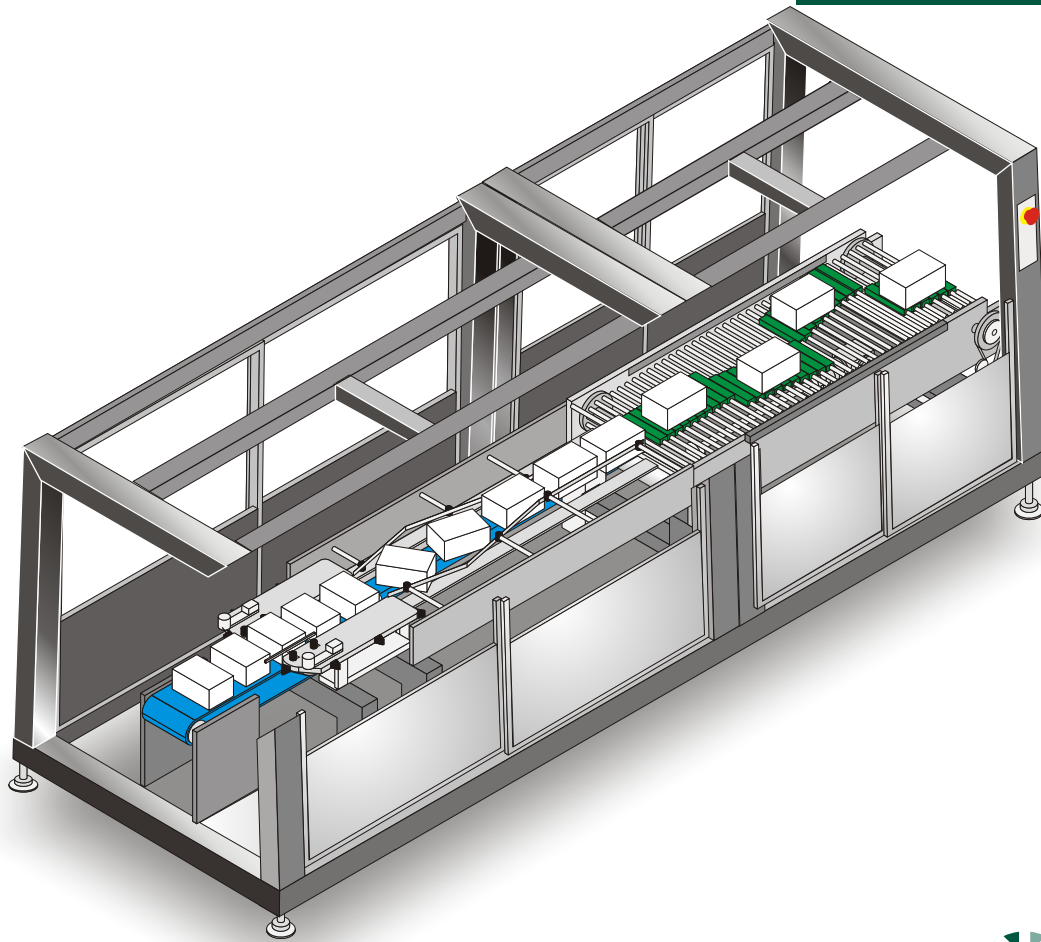


QUIKFLEX[®] TURNER DIVIDER

HIGH SPEED TURNER DIVIDER



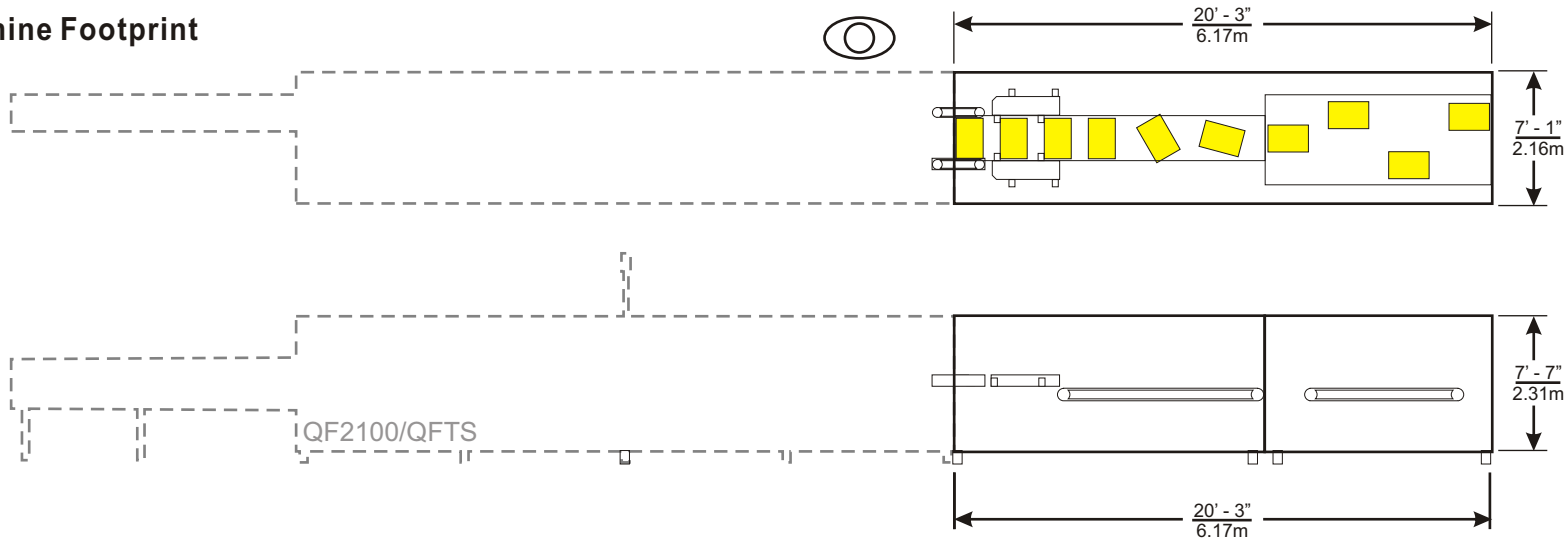
An efficient, high speed,
turner divider system



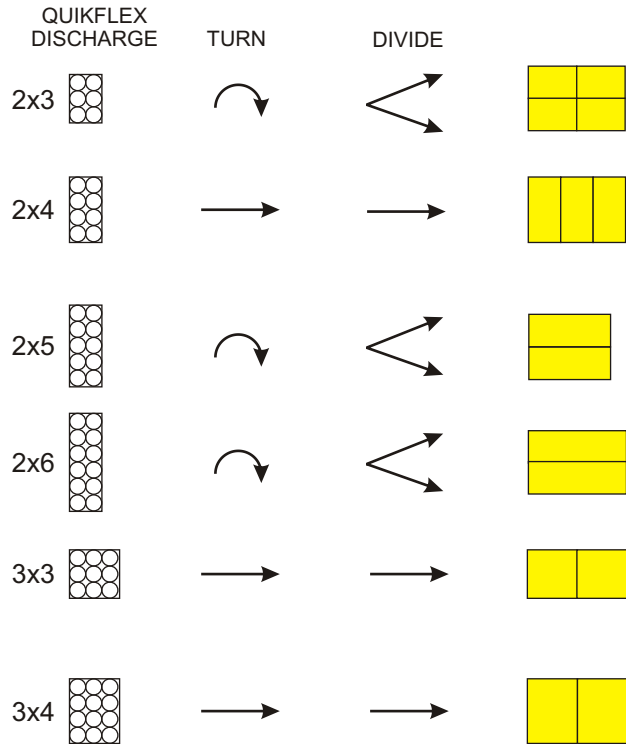
GRAPHIC PACKAGING
INTERNATIONAL, INC.

Quikflex® High Speed Turner Divider

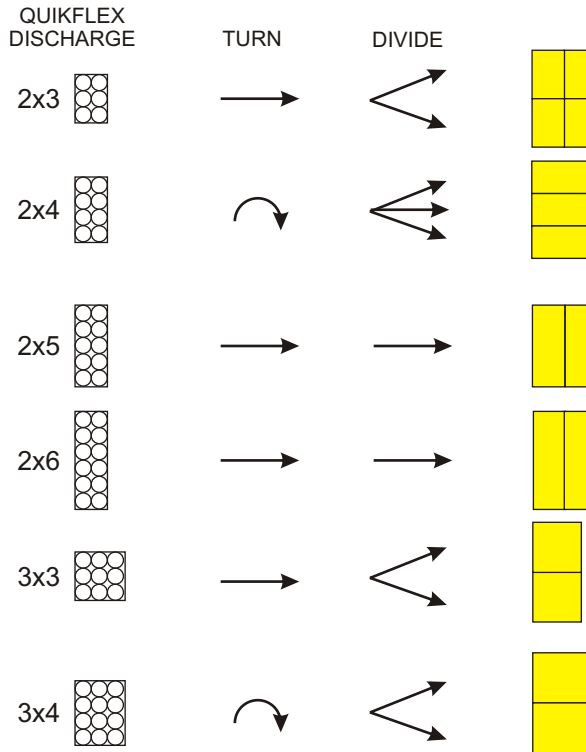
Machine Footprint



NARROW SIDE LEADING TRAY PATTERN



WIDE SIDE LEADING TRAY PATTERN



KEY FEATURES

- TURNING WIDE SIDE LEADING PACKS AND DIVIDING
- SPEEDS MATCH PARENT MACHINE CAPABILITIES
- SERVO DRIVEN OR HARD DRIVEN OFF PARENT MACHINE
- MATCHING FRAME GUARDS
- FOR SINGLE OR DOUBLE LAYER PACK
- PROVEN HEINZKILL TECHNOLOGY
- PATENTED TURNING SECTION
- NO TURNING OF SQUARE PACKS



Graphic Packaging International
 814 Livingston Court
 Marietta, Ga 30067
 Phone (770) 644-3000 Fax (770) 644-2970
www.graphicpkg.com

LARGER PACKS TURN OR NO TURN AND STRAIGHT THROUGH FOR DIRECT PALLETIZING.