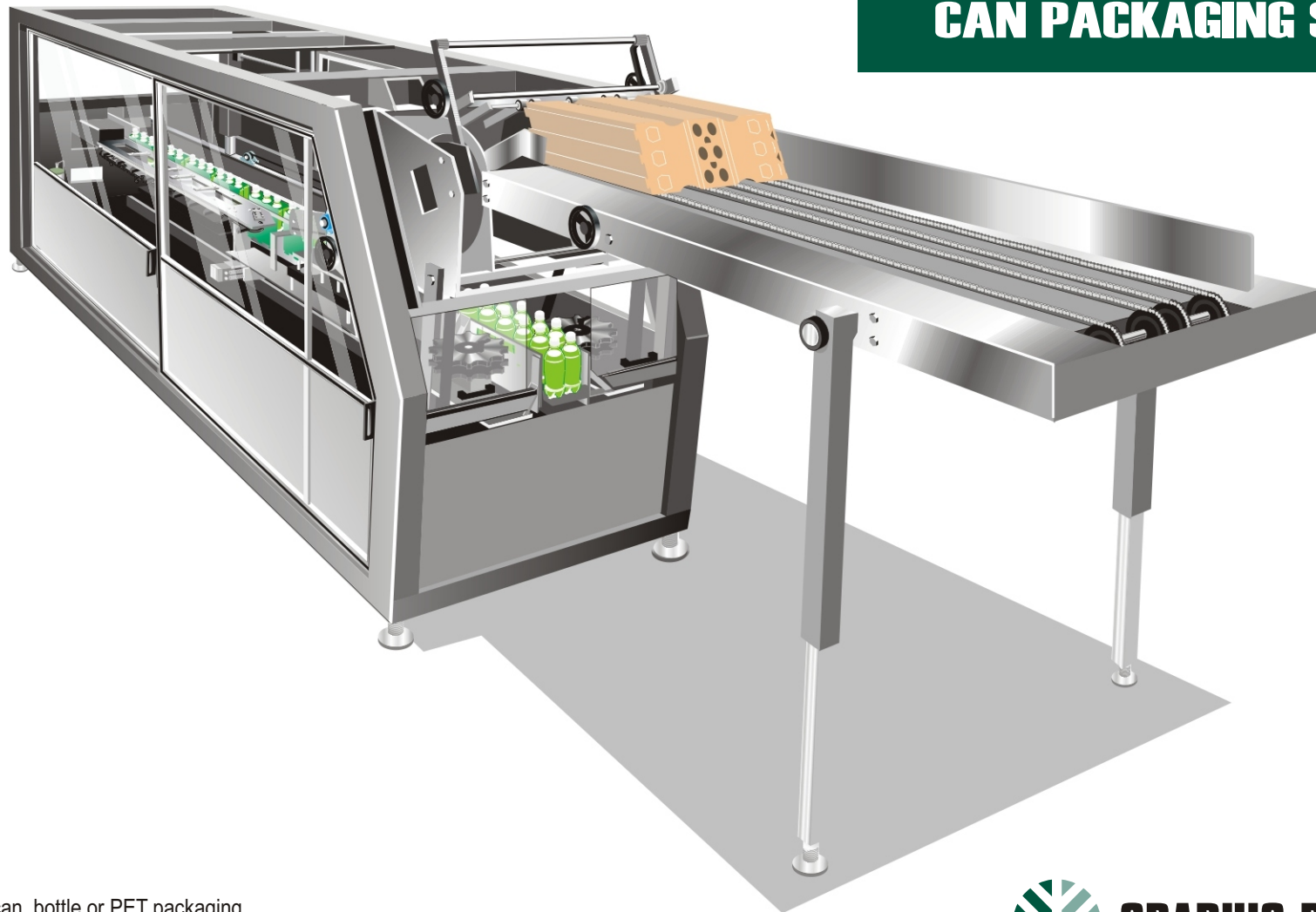


MARKSMAN[®] 1400

BOTTLE PACKAGING SYSTEM
CAN PACKAGING SYSTEM



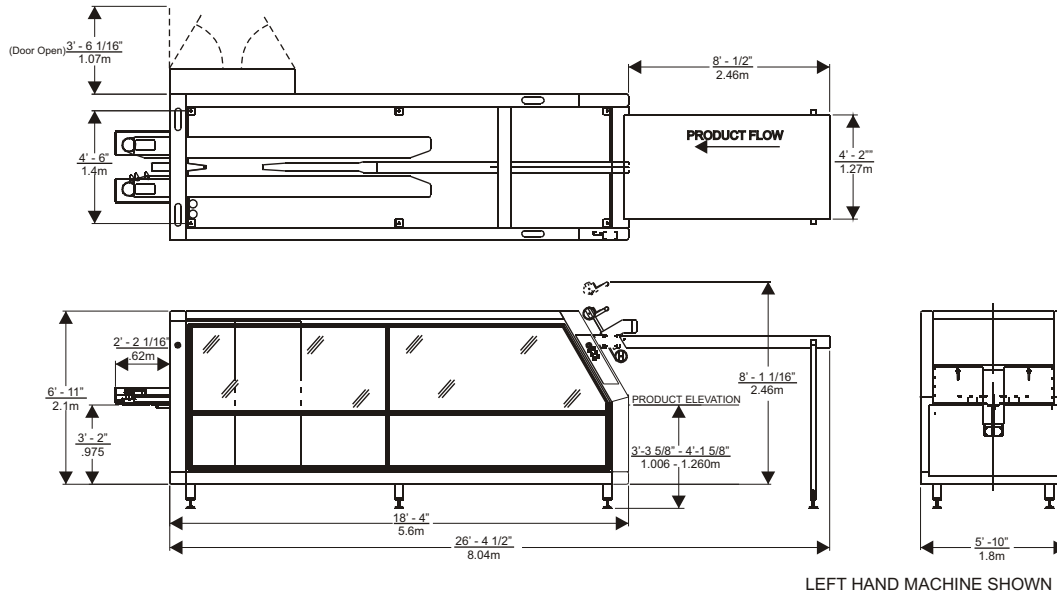
A medium speed can, bottle or PET packaging system with a "walk-in" frame for ease in changeover and maintenance.



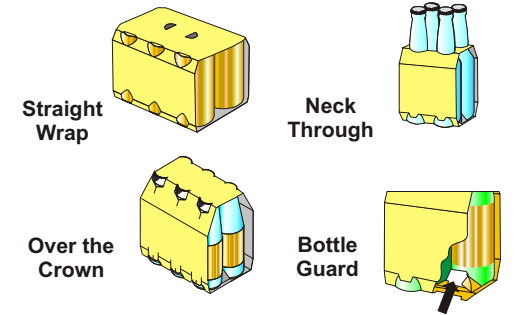
GRAPHIC PACKAGING
INTERNATIONAL, INC.

Marksman® 1400 Specifications

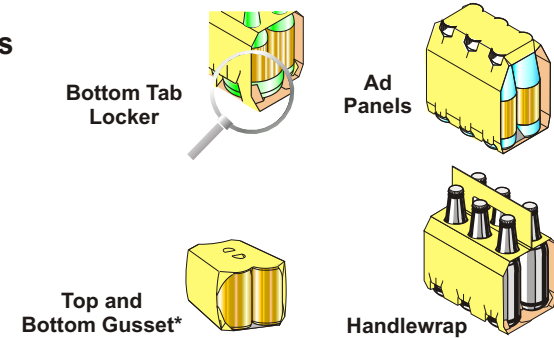
Machine Footprint



Standard Package Styles



Optional Package Styles



Key Features

Machine and Package Flexibility

The Marksman 1400 packages cans, glass bottles, PET bottles and tubs in a wide range of pack and container sizes.

High Speed Packaging

Pitched product flow allows speeds up to 225 packs per minute.

Complete Guarding

Safety guarding with full access walk-in design.

Changeover

Changeovers are quick, simple and repeatable
15 minutes (format change)
30 minute (product change)

PLC Control

Uses proven software technology

Carton Magazine

Magazine capacity is 4500 cartons

Machine Dimensions

18' 4" long, 5' 10" wide, 6' 11" high
(5.6m x 1.8m x 2.1m)

Total Machine Weight

Approximately 12,000 lbs. (5,443kg)

Electrical

460VAC, 3-phase, 60Hz or to customer specification

Motor

Main Drive: 7.5HP
Variable Frequency Controller
Venturi Vacuum Generator



Air Requirements

6PSI - 8 CFM

Package Configuration

1x2, 1x3, 1x4, 1x5 or
2x2, 2x3, 2x4 or 2x5
depending on container dimensions

Options

- Vacuum: Venturi or Pump
- Automatic grease
- Leg extensions
- Available as a paperboard "Clip Applying" machine



Graphic Packaging International, Inc.
814 Livingston Court
Marietta, Ga 30067
Phone (770) 644-3000 Fax (770) 644-2970
www.graphicpkg.com