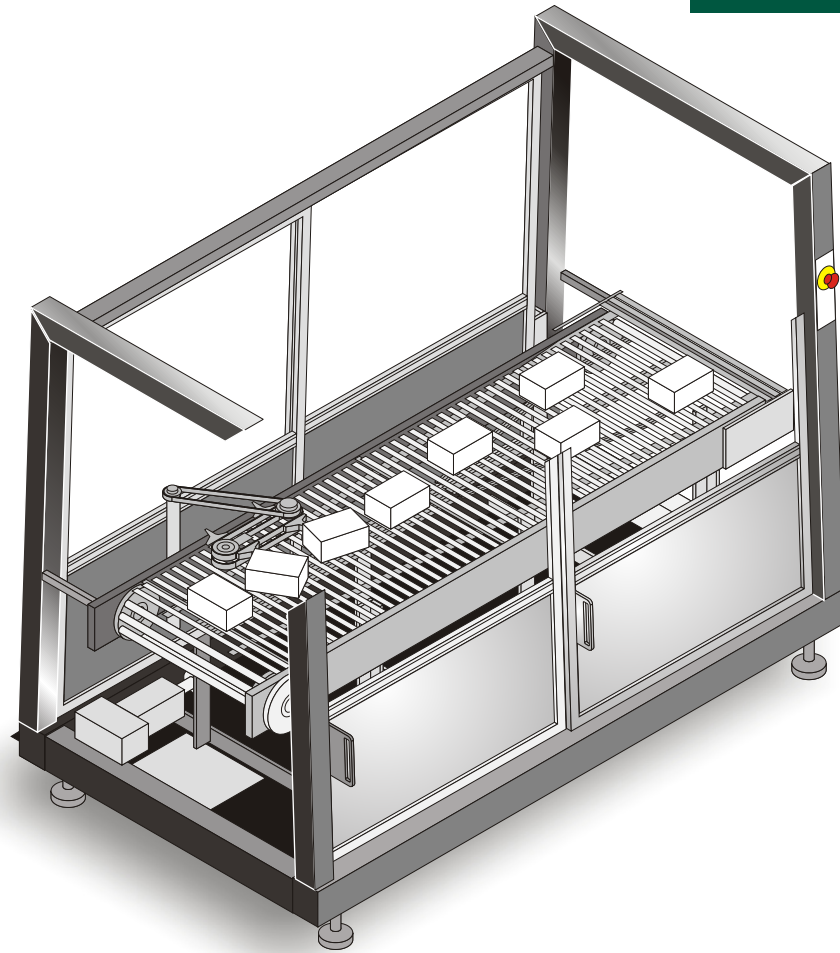


QUIKFLEX[®] 600 TURNER DIVIDER

MEDIUM SPEED TURNER DIVIDER



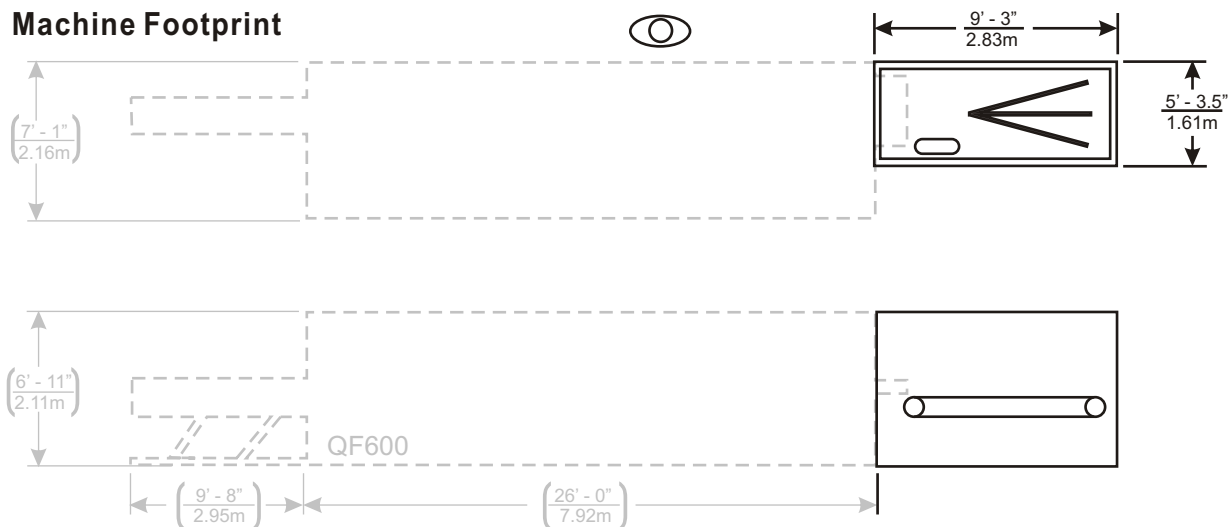
An efficient, medium speed,
turner divider system



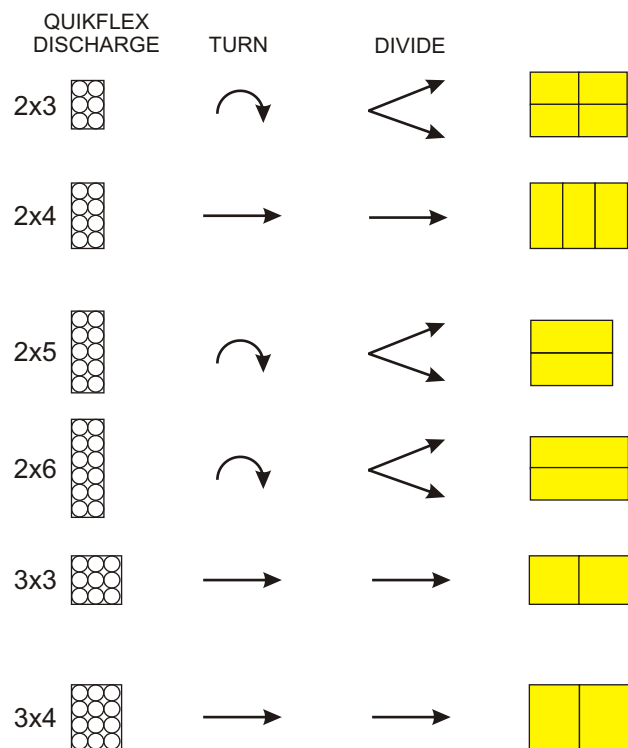
GRAPHIC PACKAGING
INTERNATIONAL, INC.

Quikflex® 600 Medium Speed Turner Divider

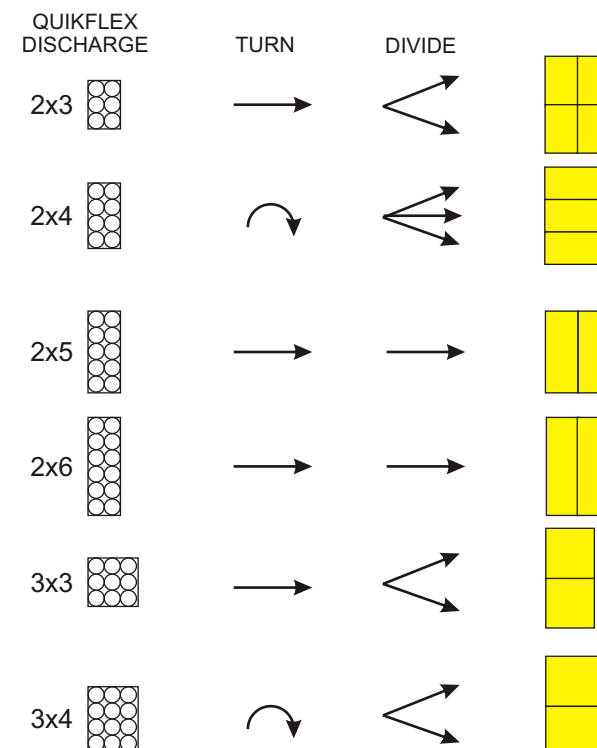
Machine Footprint



NARROW SIDE LEADING TRAY PATTERN



WIDE SIDE LEADING TRAY PATTERN



KEY FEATURES

- TURNING WIDE SIDE LEADING PACKS AND DIVIDING
- DESIGNED FOR QF600 SPEEDS AND PACK FORMATS
- HARD DRIVEN OFF PARENT MACHINE
- MATCHING FRAME GUARDS
- NO TURNING OF SQUARE PACKS
- NO TOOL CHANGEOVER



Graphic Packaging International
 814 Livingston Court
 Marietta, Ga 30067
 Phone (770) 644-3000 Fax (770) 644-2970
www.graphicpkg.com

LARGE PACKS TURN OR NO TURN AND STRAIGHT THROUGH FOR DIRECT PALLETIZING.