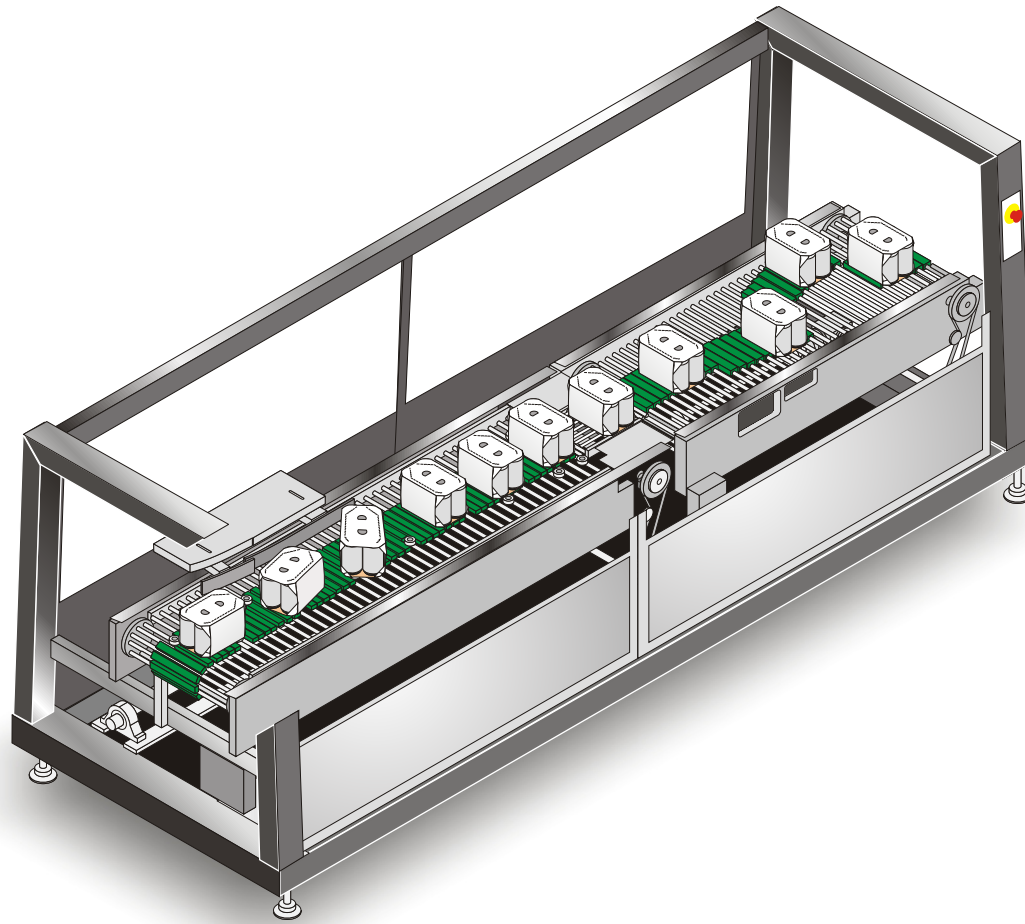


MARKSMAN[®] HIGH SPEED TURNER DIVIDER

HIGH SPEED TURNER DIVIDER

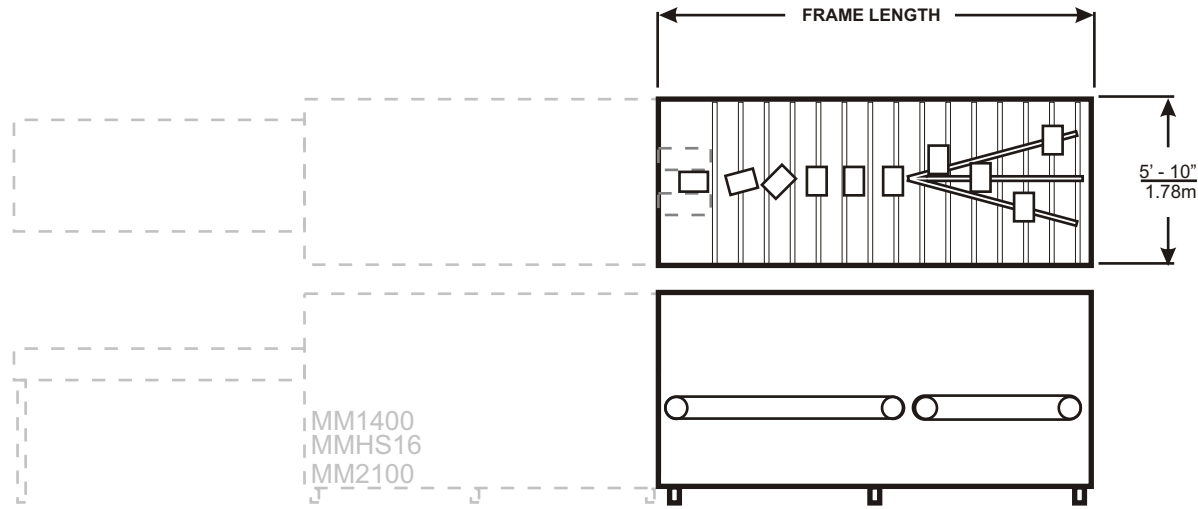


An efficient, high speed,
turner divider system



GRAPHIC PACKAGING
INTERNATIONAL, INC.

Marksman[®] High Speed Turner Divider

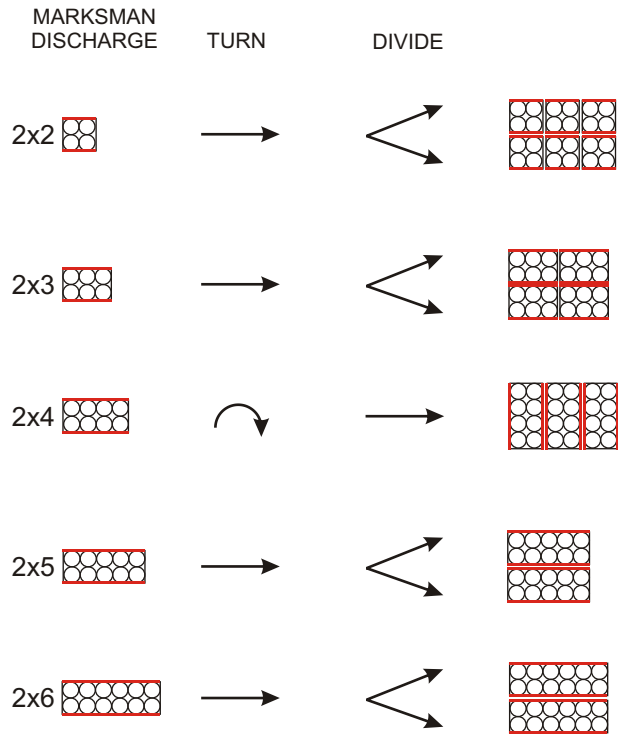


FRAME LENGTH DEPENDENT ON PITCH SPEED AND FORMAT
EXAMPLES OF STANDARD CONFIGURATIONS

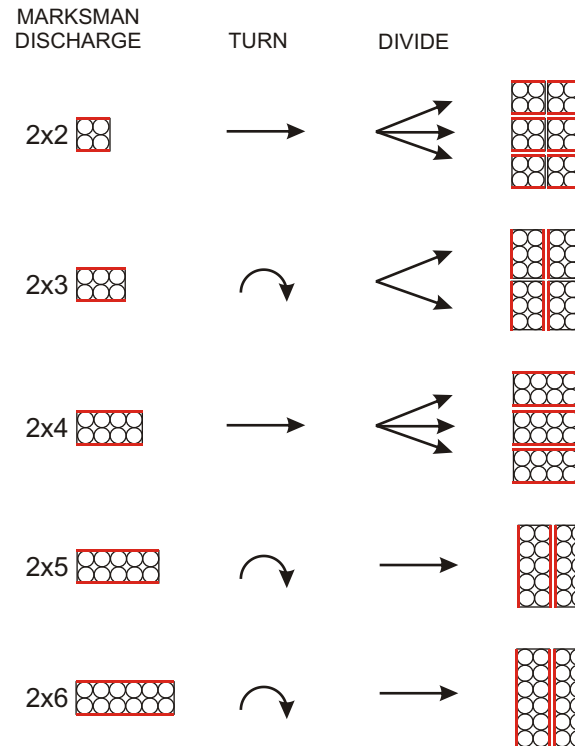
PITCH	FRAME LENGTH		BEDS	PARENT M/C
	MM	INCH		
12.5"	3000	118	SINGLE	MM1600HS
10"/20"	3188	125	SINGLE	MM2100
8.75"/17.5"	3254	128	SINGLE	MM1600HS
15"	3569	140	SINGLE	MM1400
10"	3950	155	SINGLE	MM2100
10"/20"	4310	170	DOUBLE	MM2100
12.5"/25"	5000	197	DOUBLE	MM1600HS

MM1400
MMHS16
MM2100

NARROW SIDE LEADING TRAY PATTERN



WIDE SIDE LEADING TRAY PATTERN



KEY FEATURES

- TURNING NARROW SIDE LEADING PACKS AND DIVIDING
- PROVEN HEINZKILL TECHNOLOGY
- HARD DRIVEN OFF PARENT MACHINE
- MATCHING FRAME GUARDS



Graphic Packaging International
814 Livingston Court
Marietta, Ga 30067
Phone (770) 644-3000 Fax (770) 644-2970
www.graphicpkg.com