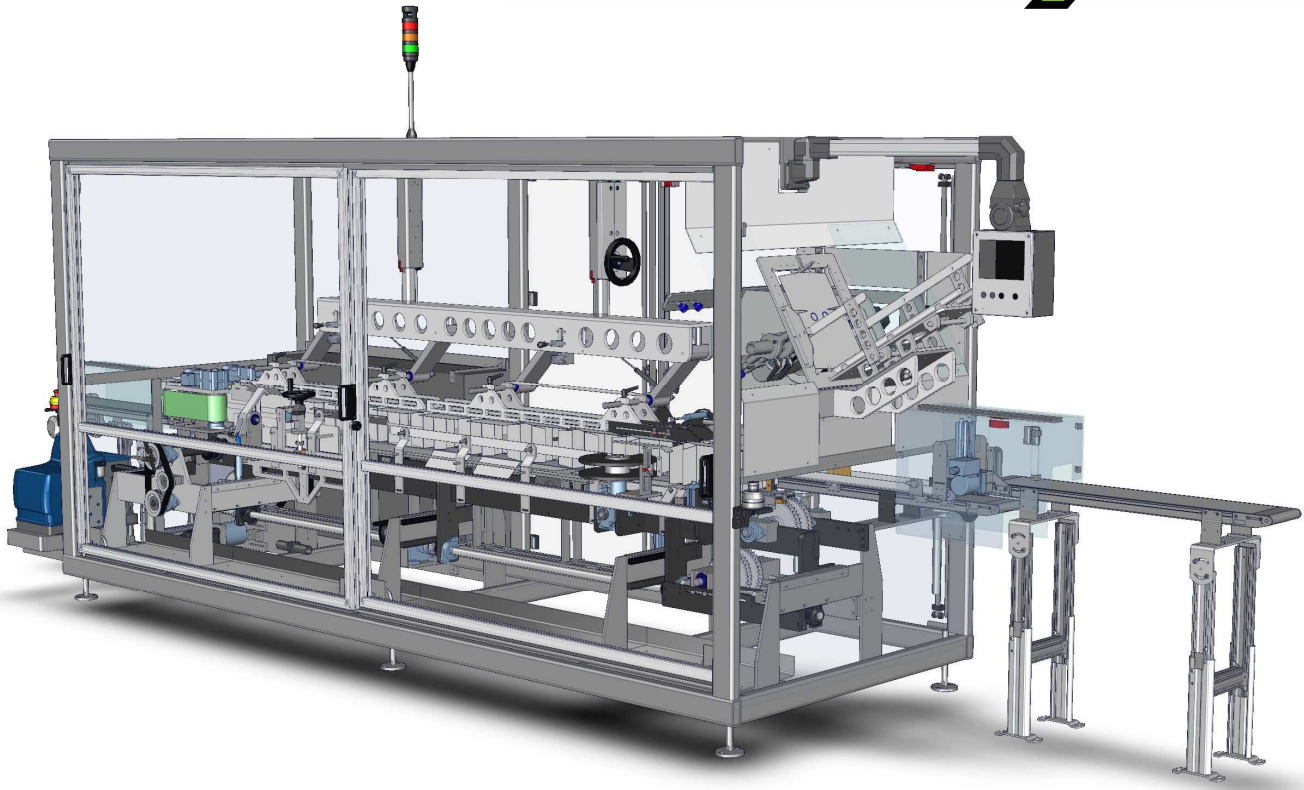


QUIKFLEX™ CP



QUIKFLEX™ CP

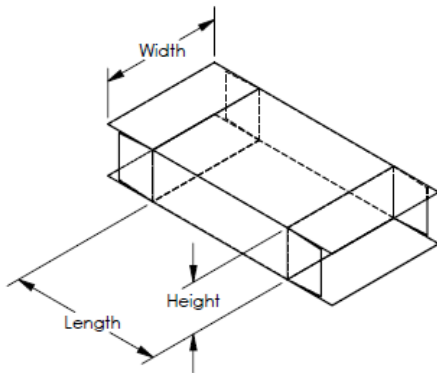
GPI Cartoners are supplied in either continuous or intermittent motion to suit a variety of applications and line configurations. Our line of cartoners is flexible, enable quick changeovers and are designed to erect and seal cartons for totally enclosed packages.

Functional Design, Easy Access Construction

- Heavy-duty cold rolled welded steel frame made from square mechanical tubing with adjustable legs.
- Clear polycarbonate interlocking hinged guard doors or sliding doors for ease of access.

Product and Size Ranges

- Designed to handle a full range of cartons.
- Carton size range: 1-1/2" to 11" wide x 4-1/4" to 13" long x 1-1/2" to 7" deep. Machine customized for other sizes.



Machine Features (Standard)

- Reciprocating, rotary or segment wheel feeding for reliable carton staging.
- Servo controlled for smooth operation.
- Carton Closing: Nordson Hot melt glue system or mechanical carton closure
- No tool changeover
- Allen Bradley electrical package.
- Color touchscreen HMI and light tower for visual display of machine functions.
- Scales and dial indicators for accurate changeovers.
- External Ethernet port for convenience.

Machine Features (Optional)

- Three grades of construction are available from standard finish to a stainless steel wash-down construction.
- Ergonomic powered magazine for extended carton supply.
- Low carton sensing.
- Custom infeed per application.
- Barrel cam loader
- Mechanical vacuum pump.
- IQ tablet for technical manuals, parts manuals, 3D PDF Part Viewer, Dynamic Changeover Checklist with Video Guidance.
- Remote Connectivity.

Specifications

Speed

- Speeds range from 30 ppm for intermittent motion and up to 200 cartons per minute for continuous motion (depending upon product size and characteristics).

Product Configuration

- Single or multi layer of product.

Machine Models

- Intermittent motion or continuous motion

Electrical

- Control Voltage: 24 VDC
- Supply Voltage: 480 VAC, Three Phase, 60 HZ

Air Requirements

- 80 psi clean/dry air supply required (equivalent to class 3 or better).
- CFM dependent on vacuum system specified.

