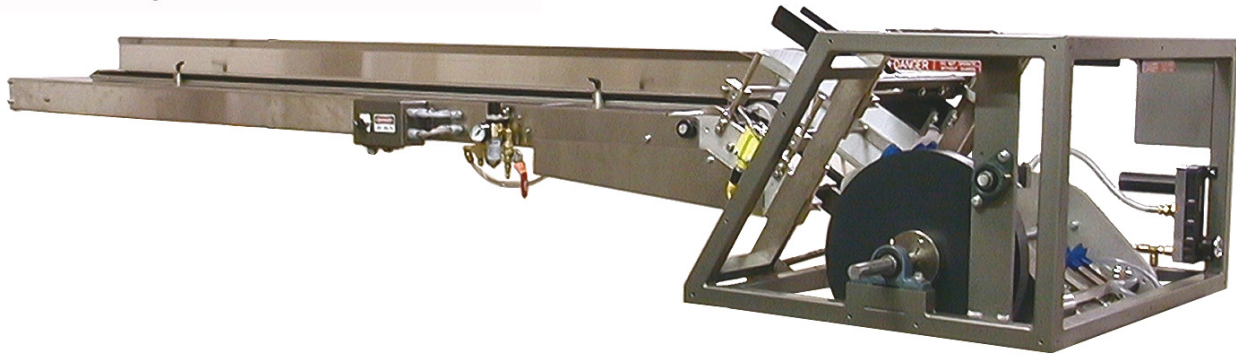
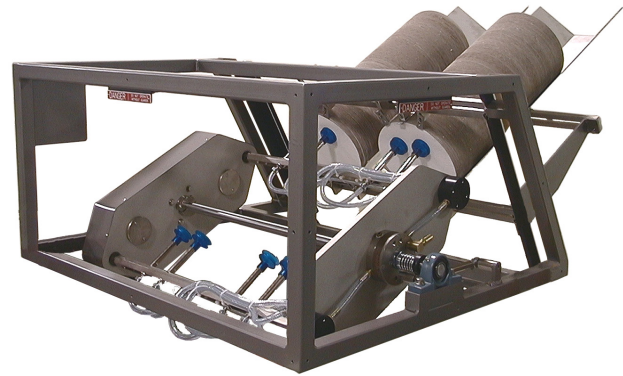


# **ROTARY VACUUM PLACERS**



**Stand Alone or Integrate  
with Existing Packaging Lines to  
Feed, Denest, or Erect Product**

# ROTARY VACUUM PLACERS

The Rotary Placer is a flexible, continuous motion machine designed for picking a variety of stackable items at high speeds with placement onto or into another product on a conveyor or in a flight system.

## Functional Design, Easy Access Construction

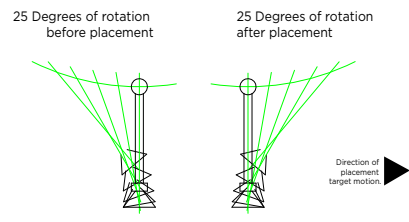
- Heavy-duty cold rolled steel frame.
- Standard finish or stainless for water resistant applications.
- Clear visibility and easy-access guarding provide access to machine.
- Rotary gear drive for long life independent action on rotary arms.

## Product & Size Ranges

- Product size dependent upon rotary head size and rotation of head.
- Minimum product size: 1" x 1".
- Maximum product size: 22" high x 48" wide.
- Handles a variety of products such as cartons, paper carriers, CR80 cards, premiums, pizza sheets, nested product such as bowls or tubs, lids, irregular shaped products, pouches and more.

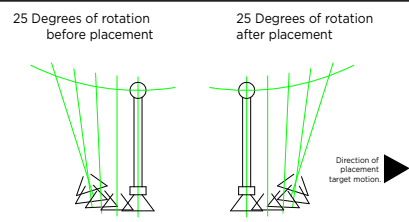
## For Accurate Placement

### Standard Motion



This is standard rotary placement motion without the influence of a cam. The product is placed on the target with no forward motion.

### Optional Advancing Cam Motion



This is patented rotary placement motion with the influence of a cam. The cam is designed so that it will either advance or retard the normal motion. This allows the product to be accelerated and speed matched to the moving target.

## Features (Standard)

- Continuous motion placement of a variety of products.
- PLC controlled - brand flexibility allows flexible configurations.
- 120 degree or 240 degree rotary rotation depending upon application needs.
- Horizontal or vertical placement.
- AC drive, servo drive or extended center shaft for customer drive controls.

## Options

- Patented advancing cam motion to speed match placement of an item onto a moving target.
- Cantilevered floor mount stands with casters or custom mounting.
- Quick-change magazines and quick-change vacuum stem tooling for quick, repeatable changeovers.
- Horizontal powered magazines for extended run times.
- Line controls to meet customer needs.
- Integration of hot melt glue system, ink jet printer, bar code scanner or labeler with 240° rotation.
- Interface this machine with major brands of equipment for reliable product placement needs.
- Controls for missed item, sound buzzer.

## Specifications

### Speed:

- Speeds up to 450 placements per minute depending upon product, rotary head size and rotation.

### Product Configuration

- Two, three, or four vacuum arms to suit speed and product requirements.

### Machine Models

- Mini, standard and jumbo head sizes to accommodate product and application.

### Electrical

- Control Voltage: 24 VDC
- Supply Voltage: 220 VAC, Single Phase

### Air Requirements

- 80 psi clean/dry air supply required (equivalent to class 3 or better).
- CFM dependent on vacuum system specified.

